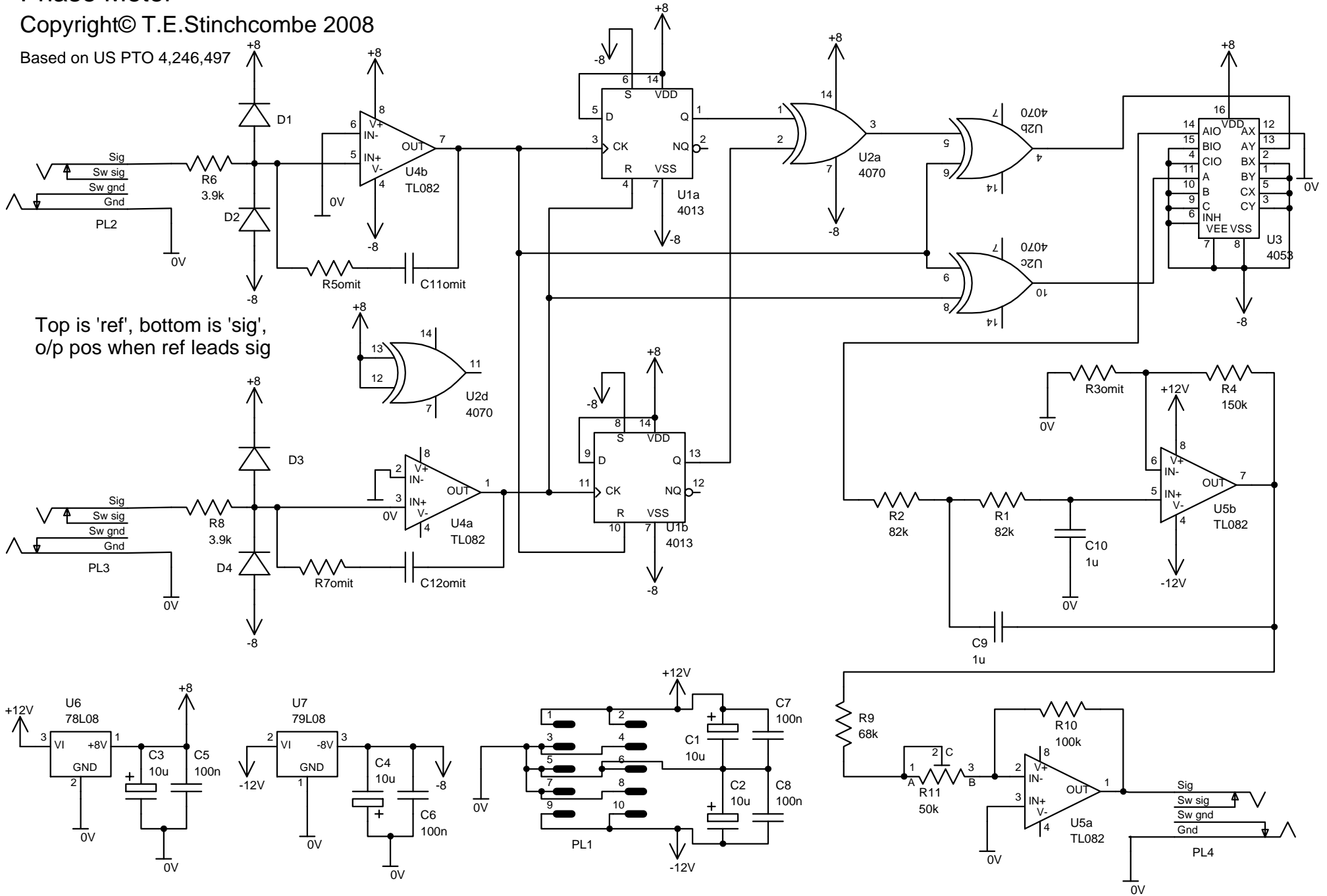


# Phase Meter

Copyright© T.E.Stinchcombe 2008

Based on US PTO 4,246,497



Top is 'ref', bottom is 'sig',  
o/p pos when ref leads sig